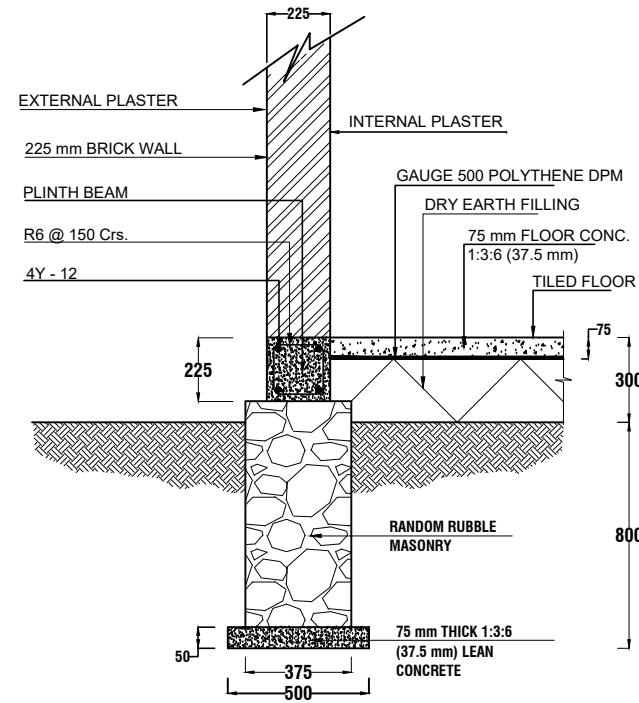


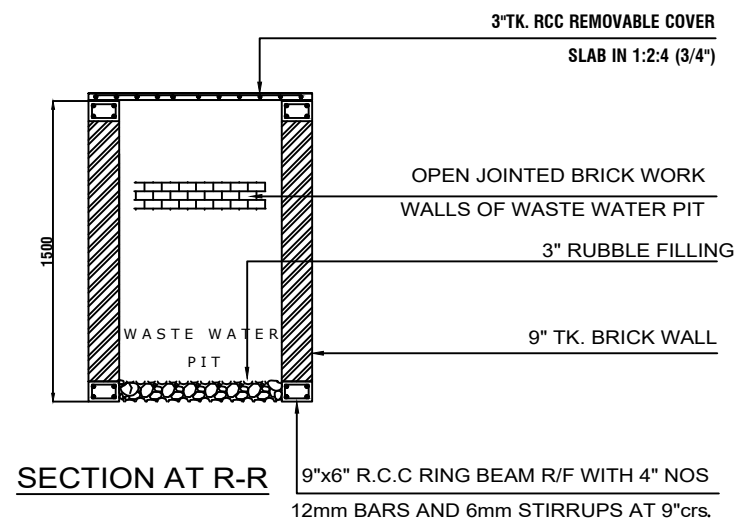
**DETAILS OF BLIND WALL FOUNDATION**

SCALE : 1:20

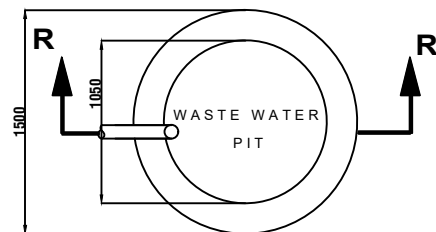


**DETAILS OF WALL FOUNDATION**

SCALE : 1:20

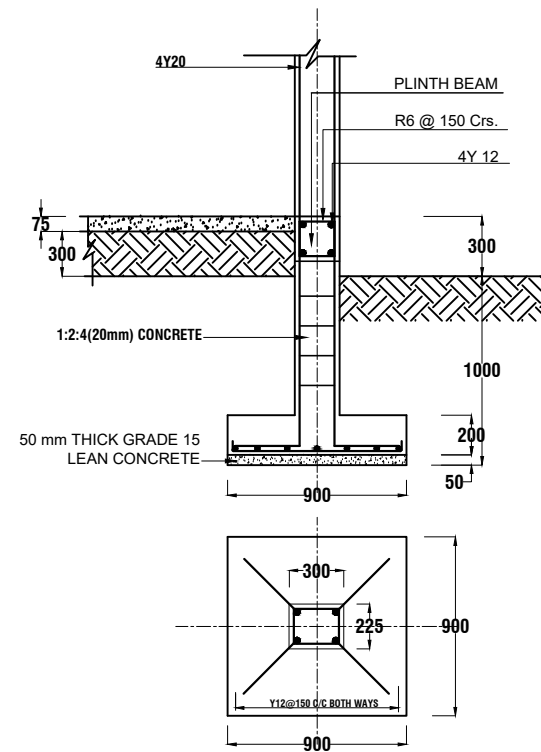


**SECTION AT R-R**



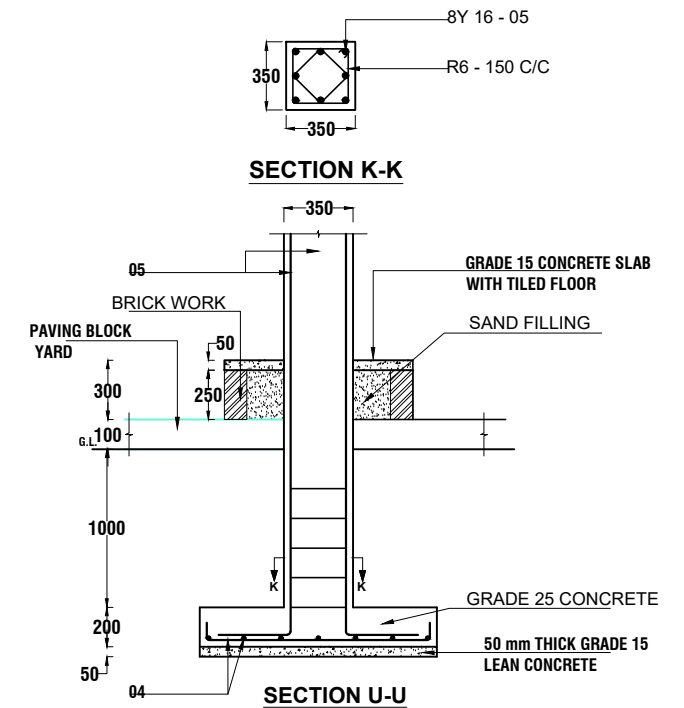
**PLAN**

**DETAIL OF WASTE WATER PIT**



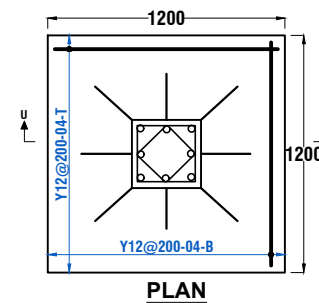
**DETAILS AT COLUMN C2**

SCALE : 1:20



**SECTION K-K**

**SECTION U-U**



**PLAN**

**DETAILS AT COLUMN C1**

SCALE : 1:20

PROJECT : **MODIFICATION OF L.F.S.MARADANA**

TITLE:

<p><b>CEYLON PETROLEUM CORPORATION</b> ENGINEERING DEPARTMENT NO. 609, DR. DANISTER DE SILVA MAWATHA, DEMATAGODA, COLOMBO -09. TP. NO. 5661717, 5661818 FAX 5455408</p>	Designed	R.S		
	Drawn	C.P	PRABATH	
	Checked	R.S		
	Approved	G.P.K.Wijekoon Manager (E&P)		
	Scale	AS.SHOWN	Date:	26.11.2023
Rev.No	Drawing No: <b>CEYPET/ENG/ 06048</b>			Sheet: 03 of 03